

Item description/product images



Description

Material:

Rail stainless steel 1.4301.
 Ball cage stainless steel 1.4301.
 Balls stainless steel 1.4034.

Version:

Slides bright.
 Ball cages bright.
 Balls bright.

Note for ordering:

Sold in pairs.

Note:

On telescopic slides with full extension, the travel is similar to the installed length, which ensures greater comfort and accessibility. Latches in closed position. The dynamic load capacity of the telescopic slides indicates the maximum load rating of a vertically mounted slide pair when the entire extension length is used. The load capacity specified is calculated with a slide spacing of 450 mm and is based on the maximum value with 10,000 or 80,000 cycles.

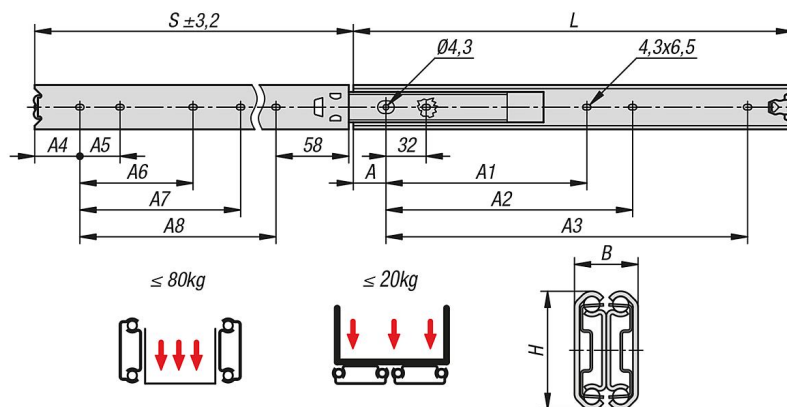
The load capacity is ca. 75% lower by horizontal mounting.

The head height of the fastening screws should not exceed 2.5 mm otherwise there is a risk of collision with other parts of the slide.

Advantages:

- Latches in closed position
- Suitable for flat mounting
- Light running

Drawings



Overview of items

Order No.	Manufacturers article number	Assembly	Product type	Load capacity per pair (80,000 cycles) kg	Loading pair (10,000 cycles) kg	Packaging type
21334-85-0300	DS0330-0030	side mounting	standard	50	65	1 piece = 1 pair
21334-85-0350	DS0330-0035	side mounting	standard	55	70	1 piece = 1 pair
21334-85-0400	DS0330-0040	side mounting	standard	60	75	1 piece = 1 pair

21334-85 Telescopic slides, stainless steel for side mounting, full extension, load capacity up to 80 kg



Overview of items

Order No.	Manufacturers article number	Assembly	Product type	Load capacity per pair (80,000 cycles) kg	Loading pair (10,000 cycles) kg	Packaging type
21334-85-0450	DS0330-0045	side mounting	standard	65	80	1 piece = 1 pair
21334-85-0500	DS0330-0050	side mounting	standard	57	75	1 piece = 1 pair
21334-85-0550	DS0330-0055	side mounting	standard	50	70	1 piece = 1 pair
21334-85-0600	DS0330-0060	side mounting	standard	45	65	1 piece = 1 pair
21334-85-0700	DS0330-0070	side mounting	standard	30	55	1 piece = 1 pair

Order No.	A	A1	A2	A3	A4	A5	A6	A7	A8	B	H	Travel S	L
21334-85-0300	26	-	192	224	18	32	-	-	224	19,1	35,3	304,5	300
21334-85-0350	26	-	224	256	36	32	-	-	256	19,1	35,3	354	350
21334-85-0400	26	-	192	320	22	32	-	160	320	19,1	35,3	403	400
21334-85-0450	26	-	224	352	40	32	-	160	352	19,1	35,3	452	450
21334-85-0500	26	256	288	416	26	32	160	192	416	19,1	35,3	501	500
21334-85-0550	26	288	320	480	44	32	160	192	448	19,1	35,3	550,5	550
21334-85-0600	26	320	352	512	30	32	192	224	512	19,1	35,3	600	600
21334-85-0700	26	352	384	608	34	32	256	288	608	19,1	35,3	698	700