

19"



Description

Material:

Slides steel.
Ball cages steel.
Balls, steel.

Version:

Slides electro zinc-plated.
Ball cages, electro zinc-plated.
Balls hardened.

Note for ordering:

Sold in pairs.

Note:

On telescopic slides with partial extension, the travel is less than the installed length. Latches in open position. When the release lever is actuated, the drawer can be taken out easily and separated from the guide.

The dynamic load capacity of the telescopic slides indicates the maximum load rating of a vertically mounted slide pair when the entire extension length is used. The load capacity specified is calculated with a slide spacing of 450 mm and is based on the maximum value with 10,000 cycles.

The load capacity is ca. 75% lower by horizontal mounting.

The head height of the fastening screws should not exceed 2.5 mm otherwise there is a risk of collision with other parts of the slide.

Temperature range:

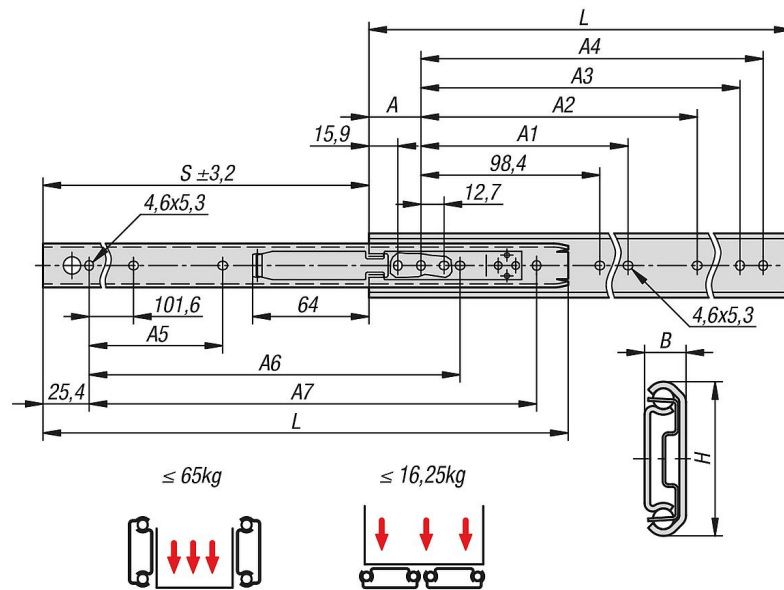
-20 °C - +70 °C.

Advantages:

Latches in open position
Quick frontal release

21334-45 Telescopic slides, steel for side mounting, partial extension, load capacity up to 65 kg

Drawings



Overview of items

Order No.	Assembly	Product type	Loading per pair kg	Packaging type
21334-45-0305	DZ0204-0012	side mounting	65	1 piece = 1 pair
21334-45-0356	DZ0204-0014	side mounting	65	1 piece = 1 pair
21334-45-0406	DZ0204-0016	side mounting	60	1 piece = 1 pair
21334-45-0457	DZ0204-0018	side mounting	55	1 piece = 1 pair
21334-45-0508	DZ0204-0020	side mounting	50	1 piece = 1 pair
21334-45-0559	DZ0204-0022	side mounting	40	1 piece = 1 pair
21334-45-0610	DZ0204-0024	side mounting	35	1 piece = 1 pair
21334-45-0660	DZ0204-0026	side mounting	30	1 piece = 1 pair
21334-45-0711	DZ0204-0028	side mounting	30	1 piece = 1 pair

Order No.	A	A1	A2	A3	A4	A5	A6	A7	B	H	Travel S	L
21334-45-0305	28,6	-	136,5	247,6	260,3	-	215,9	254	9,5	35,3	201,5	305
21334-45-0356	28,6	-	187,3	298,4	311,1	-	266,7	304,8	9,5	35,3	252,5	356
21334-45-0406	28,6	-	238,1	349,2	361,9	-	317,5	355,6	9,5	35,3	303	406
21334-45-0457	28,6	200	288,9	400	412,7	203,2	342,9	406,4	9,5	35,3	329	457
21334-45-0508	28,6	225,4	339,7	450,8	463,5	228,6	393,7	457,2	9,5	35,3	379,5	508
21334-45-0559	28,6	250,8	390,5	501,6	514,3	254	419,1	508	9,5	35,3	405	559
21334-45-0610	28,6	276,2	441,3	552,4	565,1	279,4	444,5	558,8	9,5	35,3	430,5	610
21334-45-0660	28,6	301,6	492,1	603,2	615,9	304,8	495,3	609,6	9,5	35,3	481,5	660
21334-45-0711	28,6	327	542,9	654	666,7	330,2	520,7	660,4	9,5	35,3	506,5	711