

19"



Description

Material:

Slides steel.
Ball cages steel.
Balls, steel.

Version:

Slides electro zinc-plated.
Ball cages, electro zinc-plated.
Balls hardened.

Note for ordering:

Sold in pairs.

Note:

On telescopic slides with over-extension, the travel is greater than the installed length. Latches in open position. When the release lever is actuated, the drawer can be taken out easily and separated from the guide.
The dynamic load capacity of the telescopic slides indicates the maximum load rating of a vertically mounted slide pair when the entire extension length is used. The load capacity specified is calculated with a slide spacing of 450 mm and is based on the maximum value with 10,000 cycles.

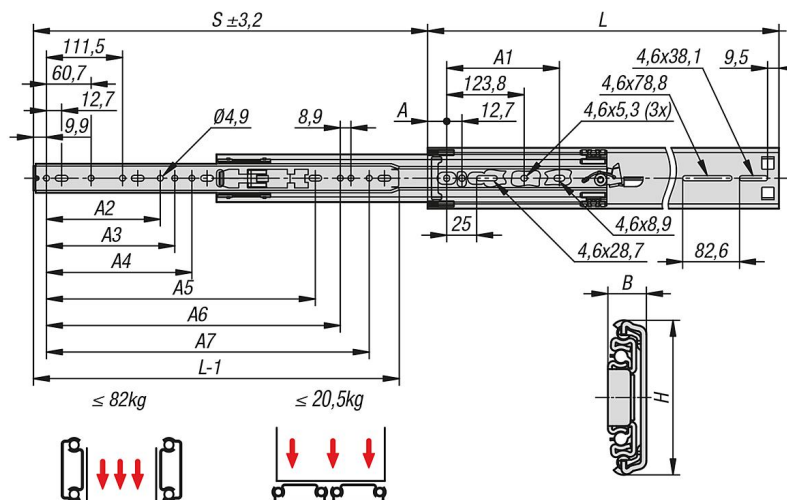
The load capacity is ca. 75% lower by horizontal mounting.

The head height of the fastening screws should not exceed 2.5 mm otherwise there is a risk of collision with other parts of the slide.

Advantages:

Latches in open position
Quick frontal release

Drawings



21334-90 Telescopic slides, steel for side mounting, over-extension, load capacity up to 82 kg



Overview of items

Order No.		Assembly	Product type	Loading per pair kg	Packaging type
21334-90-0406	DZ3507-0016	side mounting	standard	71	1 piece = 1 pair
21334-90-0457	DZ3507-0018	side mounting	standard	76	1 piece = 1 pair
21334-90-0508	DZ3507-0020	side mounting	standard	80	1 piece = 1 pair
21334-90-0559	DZ3507-0022	side mounting	standard	82	1 piece = 1 pair
21334-90-0610	DZ3507-0024	side mounting	standard	81	1 piece = 1 pair
21334-90-0660	DZ3507-0026	side mounting	standard	78	1 piece = 1 pair
21334-90-0711	DZ3507-0028	side mounting	standard	73	1 piece = 1 pair
21334-90-0762	DZ3507-0030	side mounting	standard	67	1 piece = 1 pair

Order No.	A	A1	A2	A3	A4	A5	A6	A7	B	H	Travel S	L
21334-90-0406	16	153,7	-	-	-	-	162,6	336,5	12,7	51,6	457	406
21334-90-0457	16	178,8	-	-	164,8	-	-	387,3	12,7	51,6	508	457
21334-90-0508	16	203,8	-	172,1	203,2	-	-	438,1	12,7	51,6	559	508
21334-90-0559	16	228,8	-	-	213	-	407	488,9	12,7	51,6	610	559
21334-90-0610	16	253,8	254	273,7	-	-	457,8	539,7	12,7	51,6	660	610
21334-90-0660	16	278,7	140,3	232,4	269,1	-	508,6	590,5	12,7	51,6	711	660
21334-90-0711	16	303,8	191,1	283,2	304,8	526	559,4	641,4	12,7	51,6	762	711
21334-90-0762	16	328,8	-	241,9	319,9	527,1	610,2	692,1	12,7	51,6	813	762