

Description

Material:

Slides steel.
Ball cages steel.
Balls, steel.

Version:

Slides electro zinc-plated.
Ball cages, electro zinc-plated.
Balls hardened.

Note for ordering:

Sold in pairs.
Fastening material included.

Note:

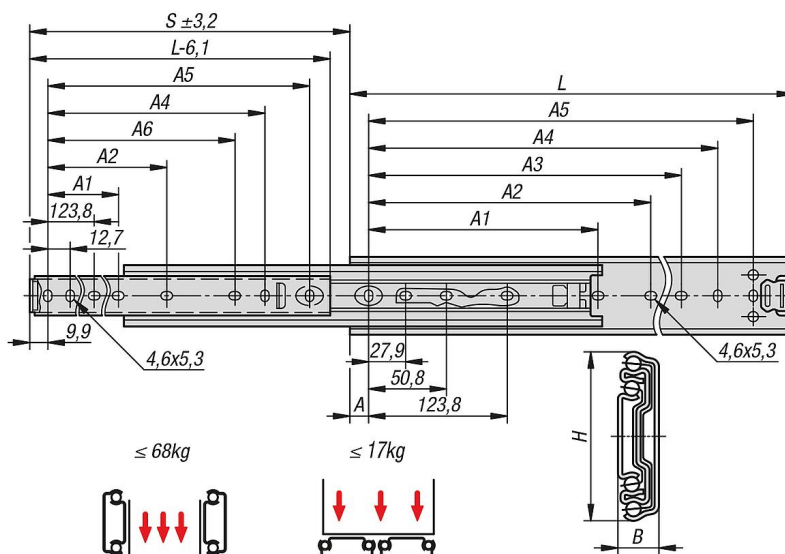
On telescopic slides with over-extension, the travel is greater than the installed length. Latches in closed position.
The dynamic load capacity of the telescopic slides indicates the maximum load rating of a vertically mounted slide pair when the entire extension length is used. The load capacity specified is calculated with a slide spacing of 450 mm and is based on the maximum value with 10,000 cycles.

The load capacity is ca. 75% lower by horizontal mounting.

Advantages:

Latches in closed position
Suitable for flat mounting
Light running

Drawings



21334-65 Telescopic slides, steel for side mounting, over-extension, load capacity up to 68 kg



Overview of items

Order No.	Manufacturers article number	Assembly	Product type	Loading per pair kg	Packaging type
21334-65-0305	DZ3301-0012-2	side mounting	standard	68	1 piece = 1 pair
21334-65-0356	DZ3301-0014-2	side mounting	standard	67	1 piece = 1 pair
21334-65-0406	DZ3301-0016-2	side mounting	standard	67	1 piece = 1 pair
21334-65-0457	DZ3301-0018-2	side mounting	standard	66	1 piece = 1 pair
21334-65-0508	DZ3301-0020-2	side mounting	standard	66	1 piece = 1 pair
21334-65-0559	DZ3301-0022-2	side mounting	standard	64	1 piece = 1 pair
21334-65-0610	DZ3301-0024-2	side mounting	standard	61	1 piece = 1 pair
21334-65-0660	DZ3301-0026-2	side mounting	standard	58	1 piece = 1 pair
21334-65-0711	DZ3301-0028-2	side mounting	standard	55	1 piece = 1 pair

Order No.	A	A1	A2	A3	A4	A5	A6	B	H	Travel S	L
21334-65-0305	16	-	162,1	209,5	235	260,3	222,2	12,7	50,8	330	305
21334-65-0356	16	-	212,8	260,3	285,7	311,1	273	12,7	50,8	381	356
21334-65-0406	16	-	263,6	311,1	336,5	361,9	323,8	12,7	50,8	432	406
21334-65-0457	16	212,8	314,4	361,9	387,3	412,7	374,6	12,7	50,8	483	457
21334-65-0508	16	238,2	365,2	412,7	438,1	463,5	425,4	12,7	50,8	533	508
21334-65-0559	16	263,6	416	463,5	488,9	514,3	476,2	12,7	50,8	584	559
21334-65-0610	16	289	466,8	514,3	539,7	565,1	527	12,7	50,8	635	610
21334-65-0660	16	314,4	517,6	565,1	590,5	615,9	577,8	12,7	50,8	686	660
21334-65-0711	16	339,8	568,4	615,9	641,3	666,7	628,6	12,7	50,8	737	711