

Item description/product images



**Description**

**Material:**

Slides steel.  
Ball cages steel.  
Balls, steel.

**Version:**

Slides electro zinc-plated.  
Ball cages, electro zinc-plated.  
Balls hardened.

**Note for ordering:**

Sold in pairs.

**Note:**

On telescopic slides with over-extension, the travel is greater than the installed length. Latches in closed position.  
The dynamic load capacity of the telescopic slides indicates the maximum load rating of a vertically mounted slide pair when the entire extension length is used. The load capacity specified is calculated with a slide spacing of 450 mm and is based on the maximum value with 80,000 cycles.

Not suitable for horizontal mounting.

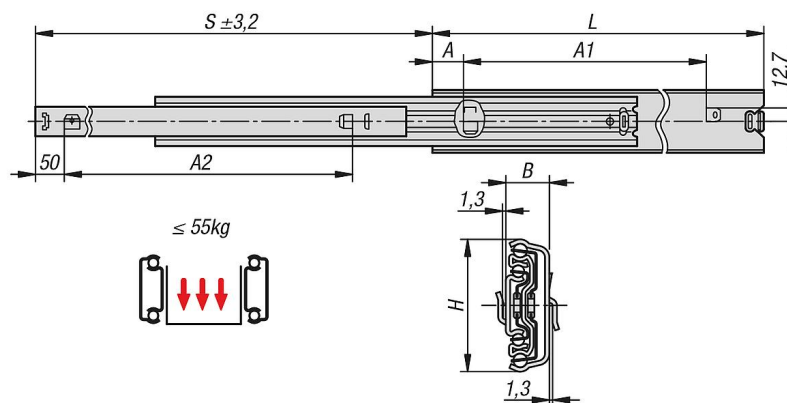
**Assembly:**

Bayonet mounting.

**Advantages:**

Bayonet mounting  
Latches in closed position  
Light running

Drawings



Overview of items

Order No.	Manufacturers article number	Assembly	Product type	Loading per pair kg	Packaging type
21334-35-0350	DZ5517-5035	side mounting	standard	51	1 piece = 1 pair
21334-35-0400	DZ5517-5040	side mounting	standard	53	1 piece = 1 pair
21334-35-0450	DZ5517-5045	side mounting	standard	55	1 piece = 1 pair

# 21334-35 Telescopic slides, steel for side mounting, over-extension, load capacity up to 55 kg



## Overview of items

Order No.	Manufacturers article number	Assembly	Product type	Loading per pair kg	Packaging type
21334-35-0500	DZ5517-5050	side mounting	standard	55	1 piece = 1 pair
21334-35-0550	DZ5517-5055	side mounting	standard	55	1 piece = 1 pair
21334-35-0600	DZ5517-5060	side mounting	standard	53	1 piece = 1 pair
21334-35-0700	DZ5517-5070	side mounting	standard	50	1 piece = 1 pair

Order No.	A	A1	A2	B	H	Travel S	L
21334-35-0350	50	250	250	17,5	53,4	374	350
21334-35-0400	50	300	300	17,5	53,4	424	400
21334-35-0450	50	350	350	17,5	53,4	473	450
21334-35-0500	50	400	400	17,5	53,4	522	500
21334-35-0550	50	450	450	17,5	53,4	571	550
21334-35-0600	50	500	500	17,5	53,4	620	600
21334-35-0700	50	600	600	17,5	53,4	731	700