



Description

Material:

Slides steel.
Ball cages steel.
Balls, steel.

Version:

Slides electro zinc-plated.
Ball cages, electro zinc-plated.
Balls hardened.

Note for ordering:

Sold in pairs.
Fastening material included.

Note:

On telescopic slides with over-extension, the travel is greater than the installed length. Latches in open position. When the release lever is actuated, the drawer can be taken out easily and separated from the guide.
The dynamic load capacity of the telescopic slides indicates the maximum load rating of a vertically mounted slide pair when the entire extension length is used. The load capacity specified is calculated with a slide spacing of 450 mm and is based on the maximum value with 10,000 cycles.

The load capacity is ca. 75% lower by horizontal mounting.

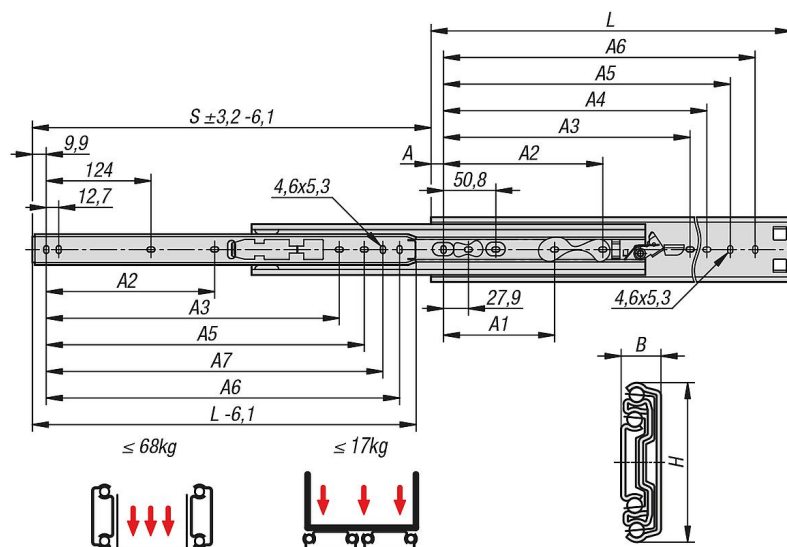
Temperature range:

-20 °C - +70 °C.

Advantages:

Latches in open position
Quick frontal release

Drawings



21334-55 Telescopic slides, steel for side mounting, over-extension, load capacity up to 68 kg



Overview of items

Order No.	Assembly	Product type	Loading per pair kg	Packaging type
21334-55-0305	DZ3307-0012-2	side mounting	68	1 piece = 1 pair
21334-55-0356	DZ3307-0014-2	side mounting	67	1 piece = 1 pair
21334-55-0406	DZ3307-0016-2	side mounting	67	1 piece = 1 pair
21334-55-0457	DZ3307-0018-2	side mounting	66	1 piece = 1 pair
21334-55-0508	DZ3307-0020-2	side mounting	66	1 piece = 1 pair
21334-55-0559	DZ3307-0022-2	side mounting	64	1 piece = 1 pair
21334-55-0610	DZ3307-0024-2	side mounting	61	1 piece = 1 pair
21334-55-0660	DZ3307-0026-2	side mounting	58	1 piece = 1 pair
21334-55-0711	DZ3307-0028-2	side mounting	55	1 piece = 1 pair

Order No.	A	A1	A2	A3	A4	A5	A6	A7	B	H	Travel S	L
21334-55-0305	16	-	-	-	209,5	234,9	260,3	247,6	12,7	50,8	330	305
21334-55-0356	16	123,8	-	-	260,3	285,7	311,1	298,4	12,7	50,8	381	356
21334-55-0406	16	123,8	-	-	311,1	336,5	361,9	349,2	12,7	50,8	432	406
21334-55-0457	16	123,8	177,8	314,5	361,9	387,3	412,7	400	12,7	50,8	483	457
21334-55-0508	16	123,8	203,2	365,2	412,7	438,1	463,5	450,8	12,7	50,8	533	508
21334-55-0559	16	123,8	228,6	416	463,5	488,9	514,3	501,6	12,7	50,8	584	559
21334-55-0610	16	123,8	254	466,8	514,3	539,7	565,1	552,4	12,7	50,8	635	610
21334-55-0660	16	123,8	279,4	517,7	565,1	590,6	615,9	603,3	12,7	50,8	686	660
21334-55-0711	16	123,8	304,8	568,5	616	641,4	666,8	654,1	12,7	50,8	737	711