

Item description/product images



**Description**

**Material:**

Slides steel.  
Ball cages steel.  
Balls, steel.

**Version:**

Slides electro zinc-plated.  
Ball cages, electro zinc-plated.  
Balls hardened.

**Note for ordering:**

Sold in pairs.

**Note:**

On telescopic slides with over-extension, the travel is greater than the installed length. Latches in closed position. When the release lever is actuated, the drawer can be taken out easily and separated from the guide.  
The dynamic load capacity of the telescopic slides indicates the maximum load rating of a vertically mounted slide pair when the entire extension length is used. The load capacities specified refer to the maximum value for 50,000 cycles.

Not suitable for horizontal mounting.

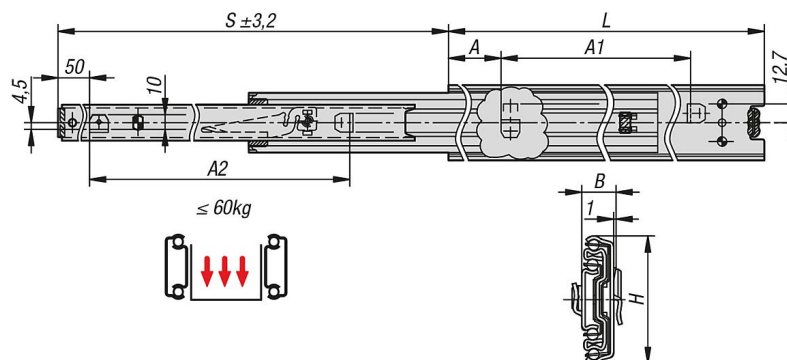
**Assembly:**

Bayonet mounting.

**Advantages:**

Bayonet mounting  
Latches in closed position  
Quick frontal release

Drawings



Overview of items

Order No.		Assembly	Product type	Loading per pair kg	Packaging type
21334-40-0300	DZ3320-5030	side mounting	standard	55	1 piece = 1 pair
21334-40-0350	DZ3320-5035	side mounting	standard	57	1 piece = 1 pair
21334-40-0400	DZ3320-5040	side mounting	standard	58	1 piece = 1 pair
21334-40-0450	DZ3320-5045	side mounting	standard	59	1 piece = 1 pair
21334-40-0500	DZ3320-5050	side mounting	standard	60	1 piece = 1 pair

# 21334-40 Telescopic slides, steel for side mounting, over-extension, load capacity up to 60 kg



## Overview of items

Order No.		Assembly	Product type	Loading per pair kg	Packaging type
21334-40-0550	DZ3320-5055	side mounting	standard	60	1 piece = 1 pair
21334-40-0600	DZ3320-5060	side mounting	standard	59	1 piece = 1 pair
21334-40-0650	DZ3320-5065	side mounting	standard	57	1 piece = 1 pair
21334-40-0700	DZ3320-5070	side mounting	standard	55	1 piece = 1 pair

Order No.	A	A1	A2	B	H	Travel S	L
21334-40-0300	50	200	200	12,7	50,8	325	300
21334-40-0350	50	250	250	12,7	50,8	374	350
21334-40-0400	50	300	300	12,7	50,8	424	400
21334-40-0450	50	350	350	12,7	50,8	473	450
21334-40-0500	50	400	400	12,7	50,8	522	500
21334-40-0550	50	450	450	12,7	50,8	571	550
21334-40-0600	50	500	500	12,7	50,8	620	600
21334-40-0650	50	550	550	12,7	50,8	670	650
21334-40-0700	50	600	600	12,7	50,8	731	700