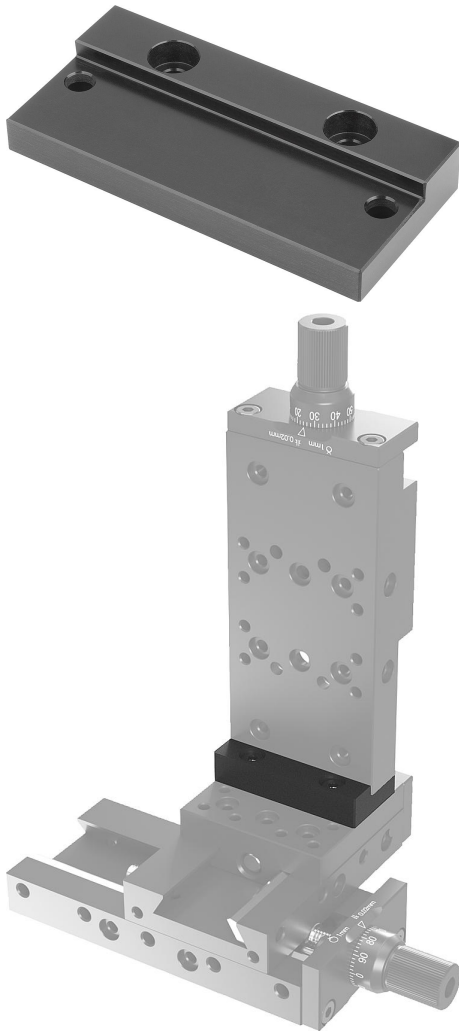


Item description/product images

**Description****Material:**

Aluminium EN AW-6082.

Version:

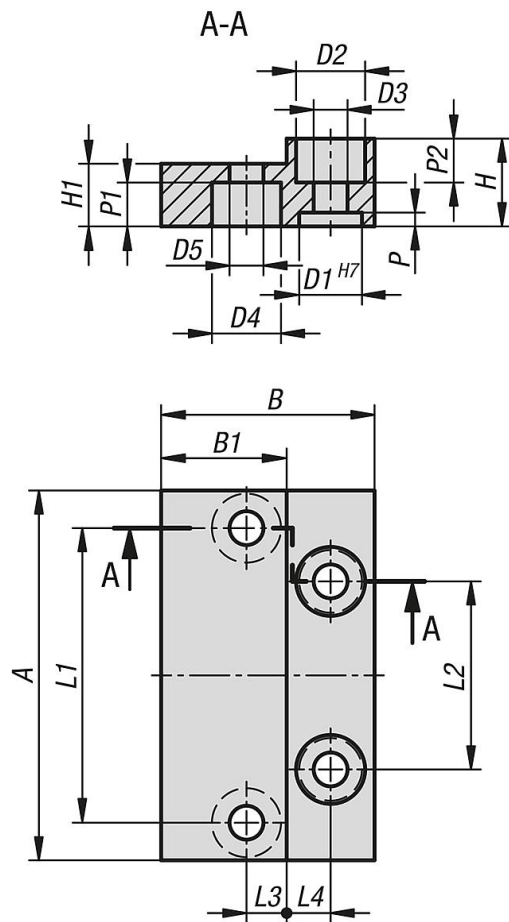
Black anodised

Note:

With these mounting brackets, two slides can be connected in an X-Y configuration without any reduction in travel.

In connection with our centring rings 20240, the vertical slide can be centred to fit precisely on the horizontal slide and fastened with screws DIN 912 (07160).

Drawings



Overview of items

| Order No. | A | B | B1 | D1 | D2 | D3 | D4 | D5 | H | H1 | L1 | L2 | L3 | L4 | P | P1 | P2 |
|--------------|-------|----|----|----|-----|-----|-----|-----|----|----|------|----|-----|-----|-----|-----|-----|
| 21010-01-020 | 19,5 | 14 | 8 | 4 | 4,4 | 2,4 | 4,4 | 2,4 | 7 | 4 | 14,8 | 8 | 2,7 | 2,5 | 1,1 | 2,4 | 2,4 |
| 21010-01-030 | 29,5 | 17 | 10 | 5 | 5,5 | 2,7 | 5,5 | 2,7 | 7 | 5 | 23,5 | 15 | 3,2 | 3,5 | 1,1 | 3,5 | 3,5 |
| 21010-01-050 | 49,5 | 24 | 14 | 7 | 8 | 4,5 | 8 | 4,5 | 10 | 6 | 40 | 28 | 4,5 | 5 | 1,6 | 4,4 | 4,4 |
| 21010-01-080 | 79,5 | 37 | 23 | 10 | 9 | 5,5 | 9 | 5,5 | 12 | 8 | 68 | 40 | 6 | 6 | 2,1 | 5,5 | 5,5 |
| 21010-01-120 | 119,5 | 46 | 30 | 10 | 10 | 5,5 | 11 | 6,4 | 14 | 10 | 106 | 70 | 7 | 6 | 2,1 | 6,4 | 5,4 |