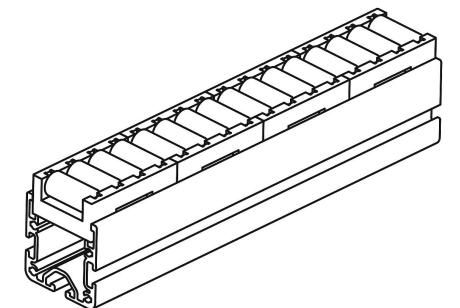
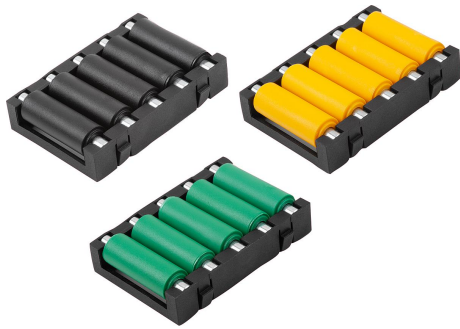


Item description/product images

**Description****Material:**

Roller and cage polyamide, glass-bead reinforced.
Steel axis.

Version:

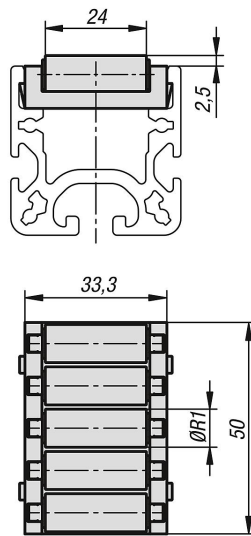
Cage black.
Roller available in different colours.

Note:

The roller elements are matched to the aluminium profiles for roller rails and can be mounted on them quickly and easily. No tools required. The compact design with a small centre distance is optimally designed for the low-vibration conveyance of sensitive items.

Suitable for aluminium profiles Type B and I.

Drawings



Overview of items

Order No.	Main colour	R1	Load capacity N
10448-02-091	black	9	100
10448-02-092	yellow	9	100
10448-02-093	red	9	100
10448-02-094	green	9	100
10448-02-095	grey	9	100