

Item description/product images



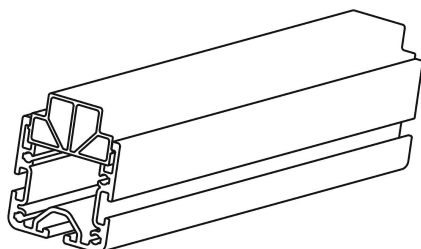
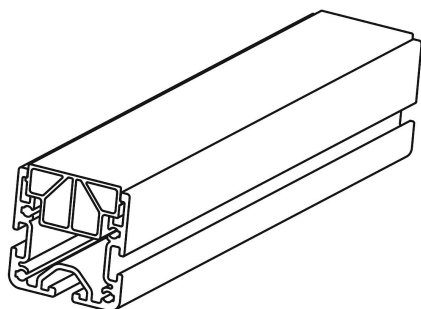
Description

Material:
Polyethylene

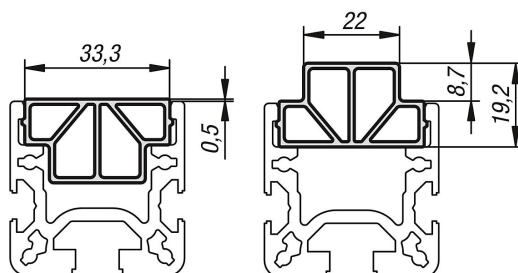
Version:
Black.

Note:
Low-wear slide rail with low slide friction for easy handling of goods. Slide rails can also be used as cover protection, impact protection, guide rails and as a riser plate between ball and brush elements.

The slide rail can be mounted in two different heights.
Suitable for aluminium profiles Type B and I.



Drawings



Overview of items

| Order No. | Length |
|------------------|--------|
| 10448-08-33X2000 | 2000 |