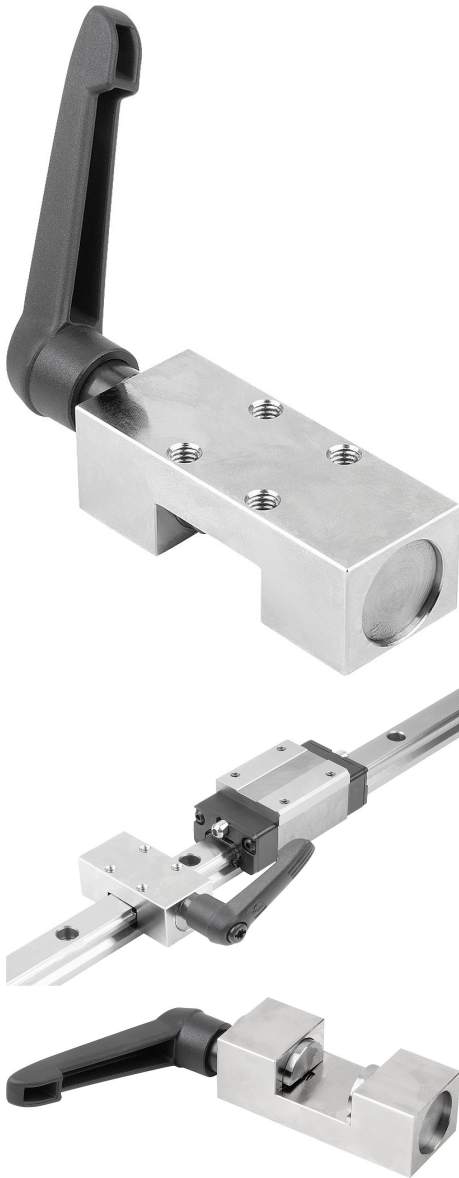


Item description/product images

**Description****Material:**

Housing steel. From size 55 aluminium.

Clamping lever plastic, threaded spindle grade 12.9.

Version:

Housing nickel-plated. From size 55 anodised.

Clamping lever spindle black oxidised.

Note:

Manually operated clamping elements for static clamping tasks. Manual clamping process using the freely adjustable clamping lever. The floating clamp ensure symmetrical application of force onto the rail. Up to 50,000 static clamping cycles (B10d value).

In general, a friction connection is created between the clamping element and the the linear guide on the open faces of the profile guide rail so that the ball guide tracks are not damaged.

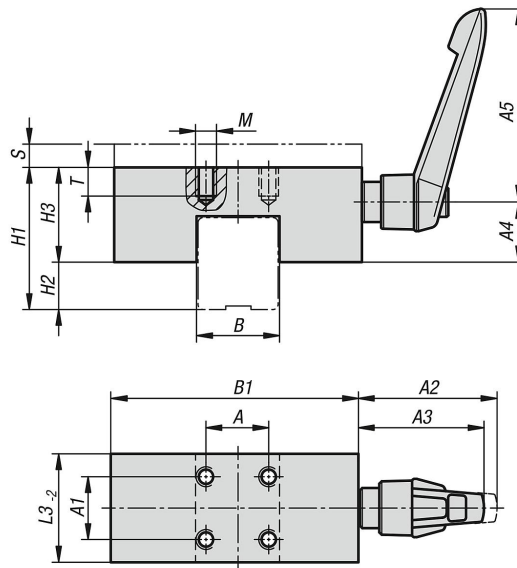
The retaining force is tested on an oil smeared profile guide rail.

An adapter plate, dependent on the type of carriage used, is required for height adjustment.

Temperature range:

-10°C to +70°C.

Drawings



Overview of items

Order No.	Size	A	A1	A2	A3	A4	A5	B	B1	H1	H2	H3	L3	M	S	T	Retaining force F1 N	Tightening torque Nm	Order number adapter plate
21427-15	15	17	17	33,5	30	12,5	40	15	47	24	6,5	17,5	24	M4	4	5	1200	5	21427-915
21427-20	20	15	15	45,5	41,5	13	65	20	60	28	8	20	24	M5	2	6	1200	7	21427-920
21427-25	25	20	20	45,5	41,5	16,2	65	25	70	36	12	23	30	M6	4	8	1200	7	21427-925
21427-30	30	22	22	58	53,5	21,5	80	28	90	42	12	30	39	M6	3	8	2000	15	21427-930
21427-35	35	24	24	58	53,5	27	80	34	100	48	16	37	39	M8	7	10	2000	15	21427-935
21427-45	45	26	26	58	53,5	26,5	80	45	120	60	18	44	44	M10	10	14	2000	15	21427-945
21427-55	55	30	30	66	61	37,5	95	53	140	70	21	51	49	M14	10	14	2000	22	21427-955