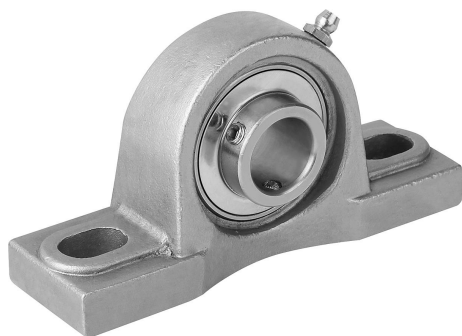


Item description/product images



Description

Material:

Housing, stainless steel 1.4301.  
 Bearing, stainless steel 1.4125.  
 Seal, rubber NBR.

Version:

Bright.

Note:

Pillow block bearings consist of a sealed single-row ball bearing with a spherical outer ring which is mounted in a housing. Because of the spherical outer surface of the bearing, shaft misalignment can be compensated for. The bearings are manufactured with a plus tolerance. This results in transition or press fits when using shafts with h-tolerances. The shaft is secured by grub screws on the inner ring.

In normal applications, pillow block bearings are maintenance-free due to the lifetime lubrication. In difficult environmental conditions re-lubrication can be carried out over the grease nipple.

All housing dimensions are nominal dimensions for which the usual casting tolerances must be taken into consideration.

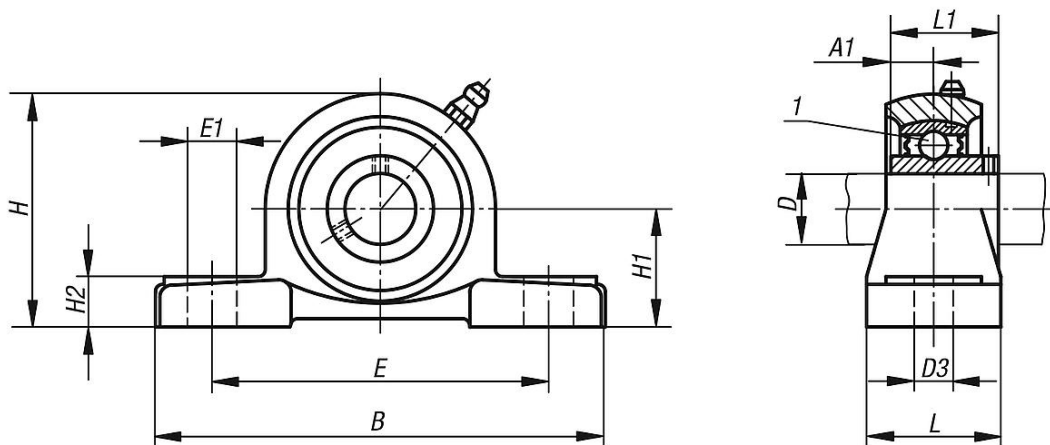
Temperature range:

-15 °C to +100 °C.

Drawing reference:

1) ball bearing

Drawings



Overview of items

Order No.	Bearing	Housing	D	A1	B	D3	E	E1	H	H1	H2	L	L1	α	Fastening screw
24240-20204	MUC 204 / SUC 204	P 204	20	12,7	127	13	95	19	65	33,3	14	38	31	10°	M10
24240-25205	MUC 205 / SUC 205	P 205	25	14,3	140	13	105	19	71	36,5	15	38	34,1	10°	M10
24240-30206	MUC 206 / SUC 206	P 206	30	15,9	165	17	121	20	84	42,9	17	44	38,1	10°	M14
24240-35207	MUC 207 / SUC 207	P 207	35	17,5	167	17	127	20	93	47,6	18	48	42,9	10°	M14

## Overview of items

Order No.	Bearing	Housing	D	A1	B	D3	E	E1	H	H1	H2	L	L1	$\alpha$	Fastening screw
24240-40208	MUC 208 / SUC 208	P 208	40	19	184	17	137	20	100	49,2	18	54	49,2	10°	M14
24240-45209	MUC 209 / SUC 209	P 209	45	19	190	17	146	20	106	54	20	54	49,2	10°	M14
24240-50210	MUC 210 / SUC 210	P 210	50	19	206	20	159	23	113	57,2	21	60	51,6	10°	M16