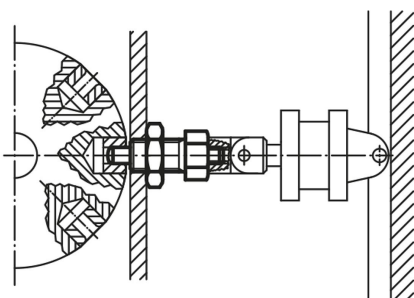


Item description/product images

INCH
Parts

Description

Material:

Steel version
Indexing pin hardened:
grade 5.8.

Stainless steel version
Indexing pin hardened:
Threaded sleeve 1.4305.
Indexing pin 1.4034.

Indexing pin not hardened:
Threaded sleeve 1.4305.
Indexing pin 1.4305.

Version:

Steel version:
Indexing pin hardened, ground, black oxidised.

Stainless steel version:
Indexing pin hardened, ground and bright.
Indexing pin not hardened, ground and bright.

Note:

Indexing plungers are used to prevent any change in locking position due to lateral forces. A new locking position can only be set after the pin has been disengaged. Special grips can be fitted on the projecting threaded pin. This pin is also suitable for automatic actuation e.g. programme controlled pneumatic cylinder or by remote control using bowden cables.

On request:

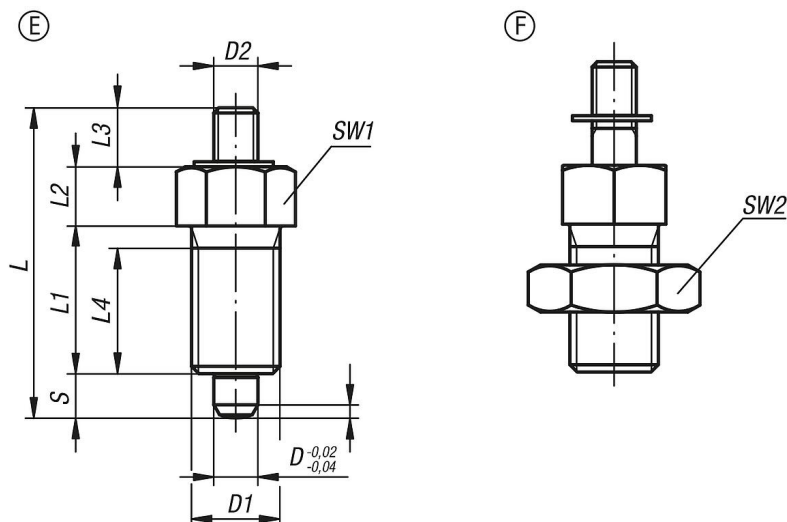
Special versions.

Drawing reference:

Form E: with threaded pin, without locknut

Form F: with threaded pin, with locknut

Drawings



Overview of items

| Order No. | Form | Main material | Surface finish body | D | D1 | D2 | L | L1 | L2 | L3 | Travel S | SW1 | SW2 | Fx30° | Spring force initial pressure F1 approx. N | Spring force final pressure F2 approx. N |
|---------------|------|-----------------|---------------------|----|---------|-----|----|----|----|-----|----------|-----|-------|-------|--|--|
| 03092-1903AJ | E | steel | hardened | 3 | 1/4-28 | M2 | 24 | 12 | 5 | 3,5 | 3,5 | 8 | - | 0,8 | 4,5 | 10 |
| 03092-1004AK | E | steel | hardened | 4 | 5/16-24 | M3 | 32 | 15 | 6 | 7 | 4 | 10 | - | 1 | 6 | 12 |
| 03092-1105AL | E | steel | hardened | 5 | 3/8-24 | M4 | 37 | 17 | 7 | 8 | 5 | 13 | - | 1,3 | 5 | 12 |
| 03092-1206A5 | E | steel | hardened | 6 | 1/2-13 | M6 | 42 | 20 | 8 | 8 | 6 | 14 | - | 1,8 | 6 | 14 |
| 03092-1308A6 | E | steel | hardened | 8 | 5/8-11 | M8 | 56 | 26 | 10 | 12 | 8 | 19 | - | 2,3 | 15 | 35 |
| 03092-1410A7 | E | steel | hardened | 10 | 3/4-10 | M8 | 62 | 28 | 12 | 12 | 10 | 22 | - | 2,8 | 15 | 34 |
| 03092-1412A0 | E | steel | hardened | 12 | 3/4-16 | M8 | 66 | 28 | 14 | 12 | 12 | 22 | - | 2,8 | 15 | 39 |
| 03092-1516A8 | E | steel | hardened | 16 | 1-8 | M10 | 80 | 32 | 18 | 14 | 16 | 27 | - | 3,2 | 20 | 46 |
| 03092-01903AJ | E | stainless steel | hardened | 3 | 1/4-28 | M2 | 24 | 12 | 5 | 3,5 | 3,5 | 8 | - | 0,8 | 4,5 | 10 |
| 03092-01004AK | E | stainless steel | hardened | 4 | 5/16-24 | M3 | 32 | 15 | 6 | 7 | 4 | 10 | - | 1 | 6 | 12 |
| 03092-01105AL | E | stainless steel | hardened | 5 | 3/8-24 | M4 | 37 | 17 | 7 | 8 | 5 | 13 | - | 1,3 | 5 | 12 |
| 03092-01206A5 | E | stainless steel | hardened | 6 | 1/2-13 | M6 | 42 | 20 | 8 | 8 | 6 | 14 | - | 1,8 | 6 | 14 |
| 03092-01308A6 | E | stainless steel | hardened | 8 | 5/8-11 | M8 | 56 | 26 | 10 | 12 | 8 | 19 | - | 2,3 | 15 | 35 |
| 03092-01410A7 | E | stainless steel | hardened | 10 | 3/4-10 | M8 | 62 | 28 | 12 | 12 | 10 | 22 | - | 2,8 | 15 | 34 |
| 03092-01412A0 | E | stainless steel | hardened | 12 | 3/4-16 | M8 | 66 | 28 | 14 | 12 | 12 | 22 | - | 2,8 | 15 | 39 |
| 03092-01516A8 | E | stainless steel | hardened | 16 | 1-8 | M10 | 80 | 32 | 18 | 14 | 16 | 27 | - | 3,2 | 20 | 46 |
| 03092-11903AJ | E | stainless steel | not hardened | 3 | 1/4-28 | M2 | 24 | 12 | 5 | 3,5 | 3,5 | 8 | - | 0,8 | 4,5 | 10 |
| 03092-11004AK | E | stainless steel | not hardened | 4 | 5/16-24 | M3 | 32 | 15 | 6 | 7 | 4 | 10 | - | 1 | 6 | 12 |
| 03092-11105AL | E | stainless steel | not hardened | 5 | 3/8-24 | M4 | 37 | 17 | 7 | 8 | 5 | 13 | - | 1,3 | 5 | 12 |
| 03092-11206A5 | E | stainless steel | not hardened | 6 | 1/2-13 | M6 | 42 | 20 | 8 | 8 | 6 | 14 | - | 1,8 | 6 | 14 |
| 03092-11308A6 | E | stainless steel | not hardened | 8 | 5/8-11 | M8 | 56 | 26 | 10 | 12 | 8 | 19 | - | 2,3 | 15 | 35 |
| 03092-11410A7 | E | stainless steel | not hardened | 10 | 3/4-10 | M8 | 62 | 28 | 12 | 12 | 10 | 22 | - | 2,8 | 15 | 34 |
| 03092-11412A0 | E | stainless steel | not hardened | 12 | 3/4-16 | M8 | 66 | 28 | 14 | 12 | 12 | 22 | - | 2,8 | 15 | 39 |
| 03092-11516A8 | E | stainless steel | not hardened | 16 | 1-8 | M10 | 80 | 32 | 18 | 14 | 16 | 27 | - | 3,2 | 20 | 46 |
| 03092-2903AJ | F | steel | hardened | 3 | 1/4-28 | M2 | 24 | 12 | 5 | 3,5 | 3,5 | 8 | 7/16 | 0,8 | 4,5 | 10 |
| 03092-2004AK | F | steel | hardened | 4 | 5/16-24 | M3 | 32 | 15 | 6 | 7 | 4 | 10 | 1/2 | 1 | 6 | 12 |
| 03092-2105AL | F | steel | hardened | 5 | 3/8-24 | M4 | 37 | 17 | 7 | 8 | 5 | 13 | 9/16 | 1,3 | 5 | 12 |
| 03092-2206A5 | F | steel | hardened | 6 | 1/2-13 | M6 | 42 | 20 | 8 | 8 | 6 | 14 | 3/4 | 1,8 | 6 | 14 |
| 03092-2308A6 | F | steel | hardened | 8 | 5/8-11 | M8 | 56 | 26 | 10 | 12 | 8 | 19 | 15/16 | 2,3 | 15 | 35 |
| 03092-2410A7 | F | steel | hardened | 10 | 3/4-10 | M8 | 62 | 28 | 12 | 12 | 10 | 22 | 1-1/8 | 2,8 | 15 | 34 |
| 03092-2412A0 | F | steel | hardened | 12 | 3/4-16 | M8 | 66 | 28 | 14 | 12 | 12 | 22 | 1-1/8 | 2,8 | 15 | 39 |
| 03092-2516A8 | F | steel | hardened | 16 | 1-8 | M10 | 80 | 32 | 18 | 14 | 16 | 27 | 1-1/2 | 3,2 | 20 | 46 |
| 03092-02903AJ | F | stainless steel | hardened | 3 | 1/4-28 | M2 | 24 | 12 | 5 | 3,5 | 3,5 | 8 | 7/16 | 0,8 | 4,5 | 10 |
| 03092-02004AK | F | stainless steel | hardened | 4 | 5/16-24 | M3 | 32 | 15 | 6 | 7 | 4 | 10 | 1/2 | 1 | 6 | 12 |
| 03092-02105AL | F | stainless steel | hardened | 5 | 3/8-24 | M4 | 37 | 17 | 7 | 8 | 5 | 13 | 9/16 | 1,3 | 5 | 12 |
| 03092-02206A5 | F | stainless steel | hardened | 6 | 1/2-13 | M6 | 42 | 20 | 8 | 8 | 6 | 14 | 3/4 | 1,8 | 6 | 14 |
| 03092-02308A6 | F | stainless steel | hardened | 8 | 5/8-11 | M8 | 56 | 26 | 10 | 12 | 8 | 19 | 15/16 | 2,3 | 15 | 35 |
| 03092-02410A7 | F | stainless steel | hardened | 10 | 3/4-10 | M8 | 62 | 28 | 12 | 12 | 10 | 22 | 1-1/8 | 2,8 | 15 | 34 |
| 03092-02412A0 | F | stainless steel | hardened | 12 | 3/4-16 | M8 | 66 | 28 | 14 | 12 | 12 | 22 | 1-1/8 | 2,8 | 15 | 39 |
| 03092-02516A8 | F | stainless steel | hardened | 16 | 1-8 | M10 | 80 | 32 | 18 | 14 | 16 | 27 | 1-1/2 | 3,2 | 20 | 46 |
| 03092-12903AJ | F | stainless steel | not hardened | 3 | 1/4-28 | M2 | 24 | 12 | 5 | 3,5 | 3,5 | 8 | 7/16 | 0,8 | 4,5 | 10 |
| 03092-12004AK | F | stainless steel | not hardened | 4 | 5/16-24 | M3 | 32 | 15 | 6 | 7 | 4 | 10 | 1/2 | 1 | 6 | 12 |
| 03092-12105AL | F | stainless steel | not hardened | 5 | 3/8-24 | M4 | 37 | 17 | 7 | 8 | 5 | 13 | 9/16 | 1,3 | 5 | 12 |
| 03092-12206A5 | F | stainless steel | not hardened | 6 | 1/2-13 | M6 | 42 | 20 | 8 | 8 | 6 | 14 | 3/4 | 1,8 | 6 | 14 |
| 03092-12308A6 | F | stainless steel | not hardened | 8 | 5/8-11 | M8 | 56 | 26 | 10 | 12 | 8 | 19 | 15/16 | 2,3 | 15 | 35 |
| 03092-12410A7 | F | stainless steel | not hardened | 10 | 3/4-10 | M8 | 62 | 28 | 12 | 12 | 10 | 22 | 1-1/8 | 2,8 | 15 | 34 |
| 03092-12412A0 | F | stainless steel | not hardened | 12 | 3/4-16 | M8 | 66 | 28 | 14 | 12 | 12 | 22 | 1-1/8 | 2,8 | 15 | 39 |
| 03092-12516A8 | F | stainless steel | not hardened | 16 | 1-8 | M10 | 80 | 32 | 18 | 14 | 16 | 27 | 1-1/2 | 3,2 | 20 | 46 |