

Item description/product images



Description

Material:

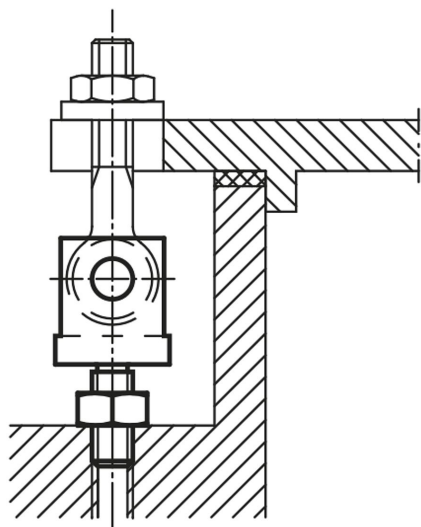
Carbon steel 1.1191 or stainless steel 1.4305.

Version:

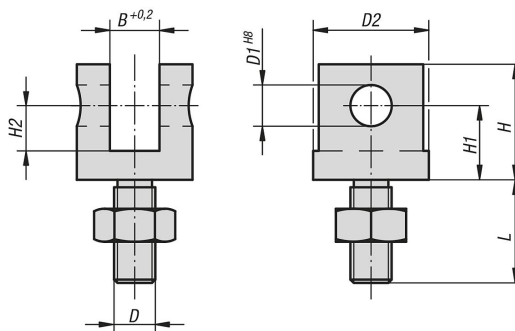
Carbon steel tempered and black oxidised.
Stainless steel bright.

Note:

Suitable hinge pin, see 04250.



Drawings



Overview of items

Order No.	Main material	D	D1	D2	B	H	H1	H2	L
07620-05	high carbon steel	M5	5	12	6	16	10	7	14,5
07620-06	high carbon steel	M6	6	16	7	19	12	8	15
07620-08	high carbon steel	M8	8	20	9	23	15	10	20
07620-10	high carbon steel	M10	10	28	12	28	18	11	25
07620-12	high carbon steel	M12	12	30	14	34	21	13,5	30
07620-14	high carbon steel	M14	14	36	16	37	23	15	35
07620-16	high carbon steel	M16	16	40	17	42	26	17	40
07620-20	high carbon steel	M20	18	50	22	52	32	21	50
07620-105	stainless steel	M5	5	12	6	16	10	7	14,5
07620-106	stainless steel	M6	6	16	7	19	12	8	15

Overview of items

Order No.	Main material	D	D1	D2	B	H	H1	H2	L
07620-108	stainless steel	M8	8	20	9	23	15	10	20
07620-110	stainless steel	M10	10	28	12	28	18	11	25
07620-112	stainless steel	M12	12	30	14	34	21	13,5	30
07620-114	stainless steel	M14	14	36	16	37	23	15	35
07620-116	stainless steel	M16	16	40	17	42	26	17	40
07620-120	stainless steel	M20	18	50	22	52	32	21	50