

Item description/product images

**Description****Material:**

Aluminium EN AW-6060

Version:

Black anodised

Note:

Units for precise adjustment of components in the X-Y axis. Allows compensation for machining tolerances in mechanical assemblies. Matches our single and double bases. The uniform hole pattern of the respective sizes allows the adjustment units to be fitted under the base at a later date.

Adjustment range: X: ± 3 mm

Adjustment range: Y: ± 3 mm

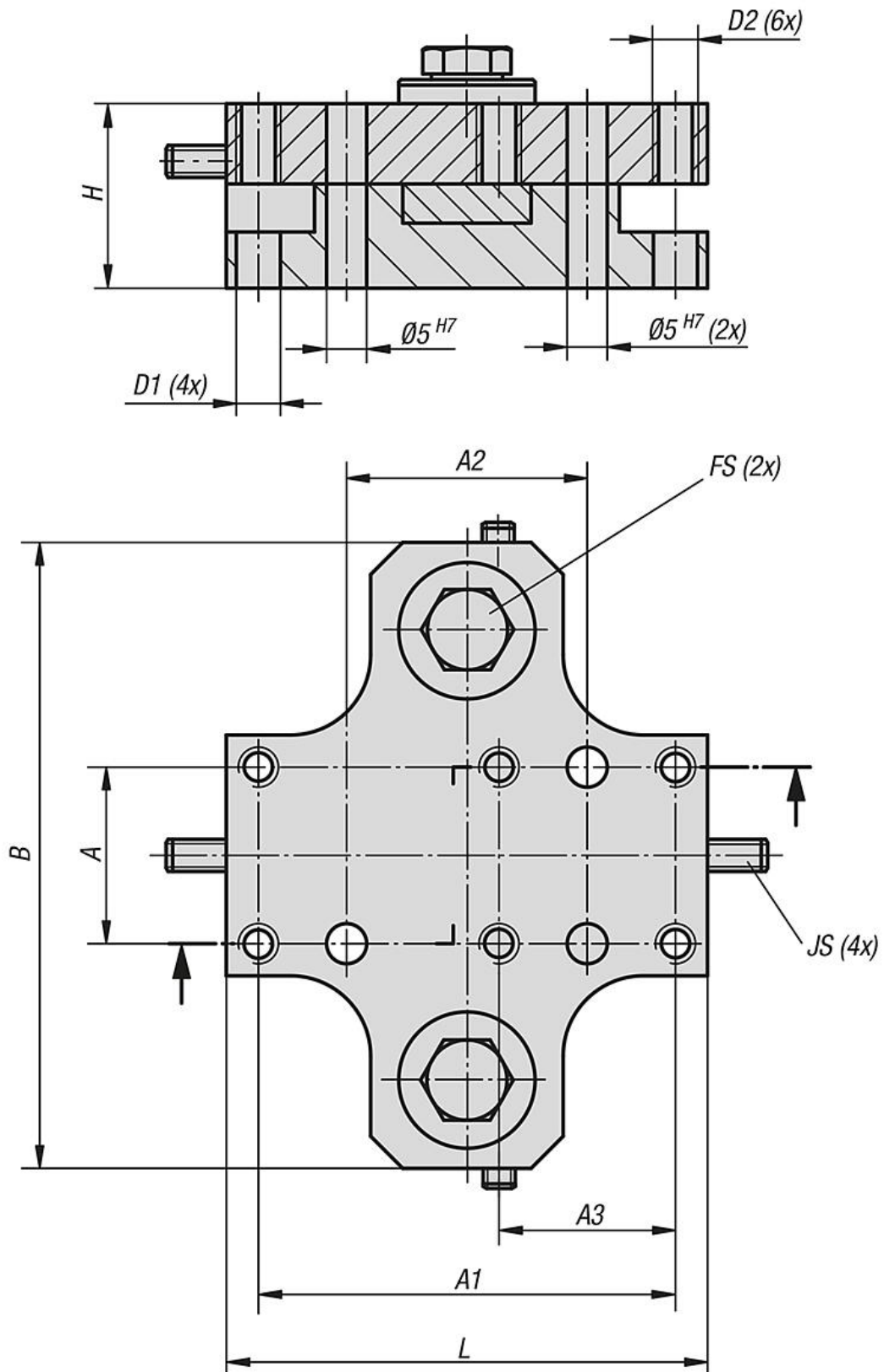
Drawing reference:

position tolerance of reamed holes: $\pm 0,01$

position tolerance of holes: $\pm 0,1$

FS = lock screw (2x)

JS = setscrew (4x)



Overview of items

Order No.	Size	A	A1	A2	A3	B	D1	D2	H	L
29210-122	12	22	52	30	22	78	5,5	M5	23	60
29210-202	20	30	70	40	30	88	5,5	M5	23	80
29210-302	30	40	90	50	40	110	6,5	M6	32	100
29210-402	40	48	108	60	48	120	8,5	M8	32	120