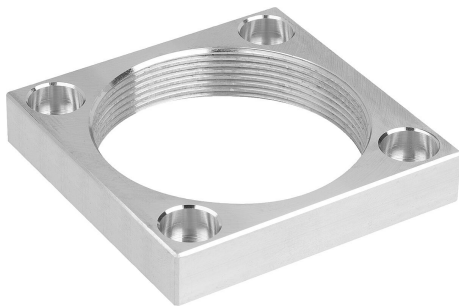


## Item description/product images



## Description

**Material:**

Aluminium.

**Note:**

The aluminum threaded flange can be used as a mounting base for swing clamps.

The fastening holes of the threaded flange have the same dimensions as those of the pneumatic screw-in swing clamps with flange (05610-10) and the pneumatic screw-in link clamps with flange (05609).

Can be used to secure to the fixture with a slotted round nut.

**Advantages:**

Additional thread must be cut into the fixtures mounting plate.

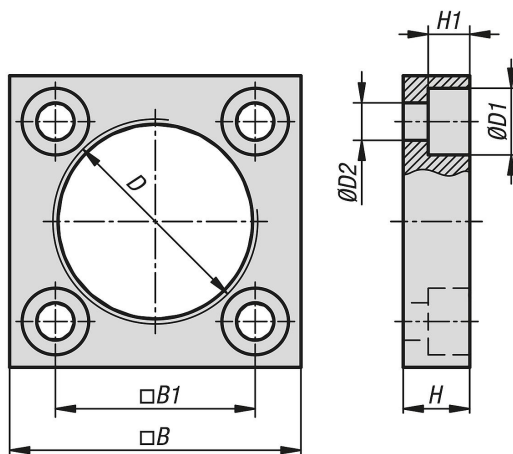
**Accessory:**

05609 Pneumatic link clamp, screw-on with flange.

05610-05 Pneumatic swing clamp, screw-on.

05610-10 Pneumatic swing clamp, screw-on with flange.

## Drawings



## Overview of items

Order No.	Size	B	B1	D	D1	D2	H	H1
05610-20-12	12	35	24	M25x1,5	8	4,5	8	5
05610-20-16	16	40	29	M30x1,5	8	4,5	8	5
05610-20-20	20	45	32	M35x1,5	9	5,5	9	6
05610-20-25	25	50	37	M40x1,5	9	5,5	9	6
05610-20-32	32	60	45	M50x1,5	11	6,5	12	7
05610-20-40	40	65	50	M55x1,5	11	6,5	12	7
05610-20-50	50	75	58	M65x1,5	13	8,5	15	9
05610-20-63	63	88	70	M80x1,5	13	8,5	15	9

