

Modular structure of a levelling foot

Application:

Levelling feet are of modular design. The components can be individually combined to match the application. Levelling feet can be used on machines, plants and even office furniture.

Modular design:

The levelling feet consist of two components - a plate and a threaded spindle. **Any** plate can be combined with **any** threaded spindle (see Fig. 1).

Assembly:

Insert the threaded spindle vertically into the levelling foot plate and fasten it from underneath with a spacer ring, washer and screw (no unintentional loosening of threaded spindle from the plate). If necessary, the two fastening holes (closed) in the levelling foot plate can be opened by simply punching them out to allow the levelling foot to be bolted to the floor.

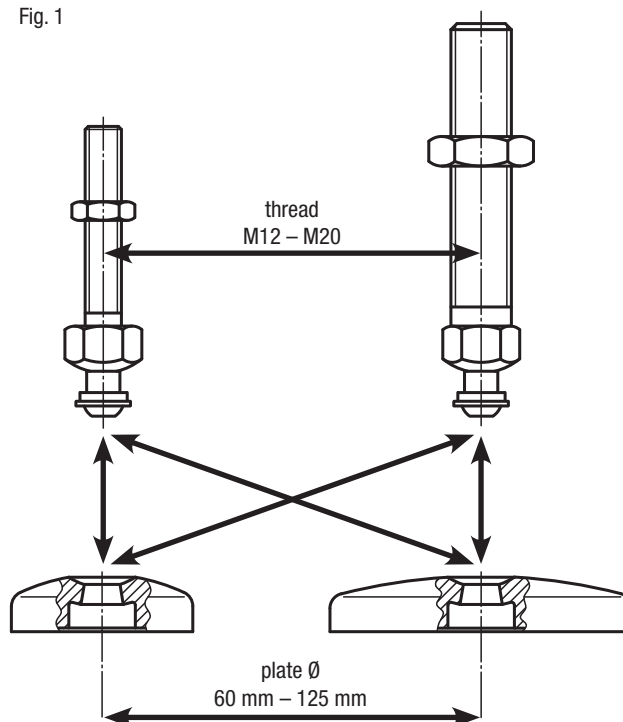
Levelling feet height:

Regardless of the plate or threaded spindle size, levelling feet always have a minimum height of $H = 30$ mm (see Fig. 2). The height of the complete levelling foot is calculated from the length of the threaded spindle + 30 mm. (Total height of levelling foot = $L + 30$ mm).

Note for ordering:

If the levelling foot plate and the threaded spindle are to be supplied assembled, please add the suffix "**assembled**" to the order number for the plate and spindle (see sample order on the relevant product page).

Fig. 1



Inclination angle of threaded spindle:

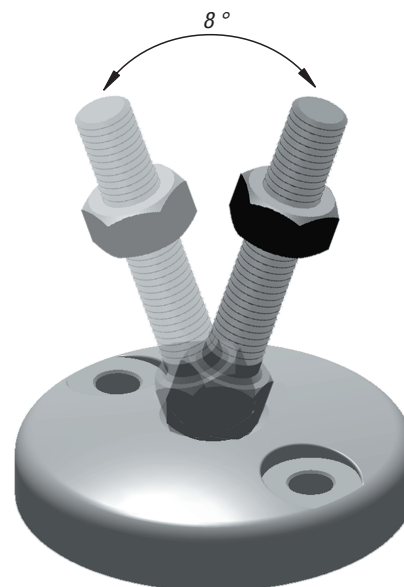


Fig. 2

