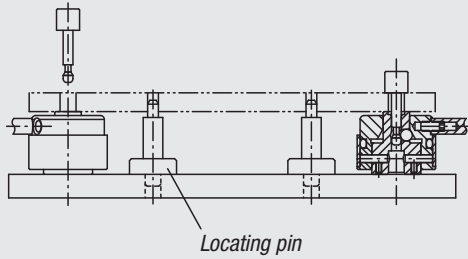


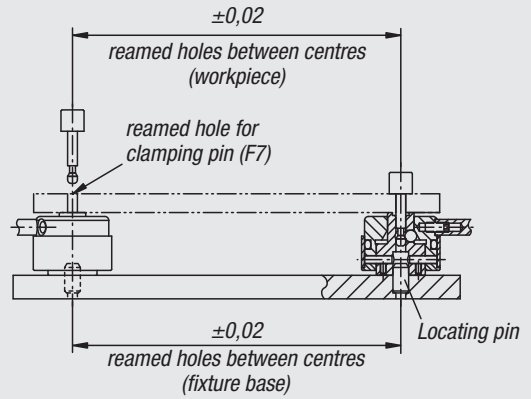
# Technical Information for Pull Clamps

## Workpiece positioning

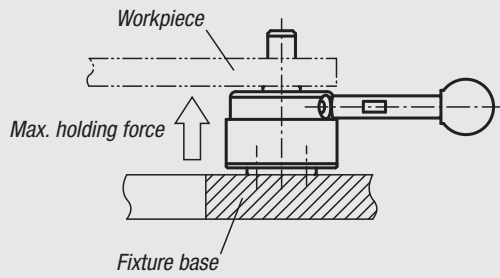
### Clamping using a pull clamp and clamping pin



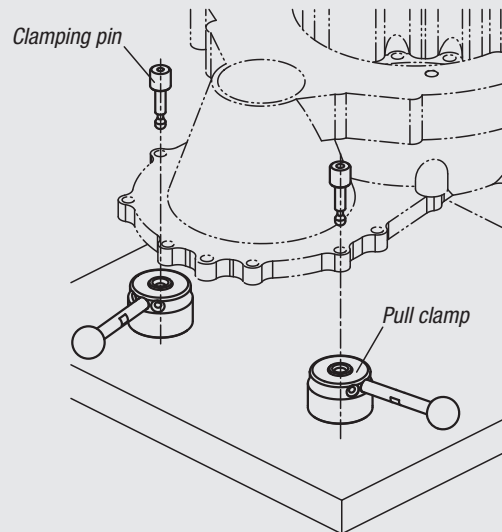
### Simultaneous clamping and positioning of a workpiece



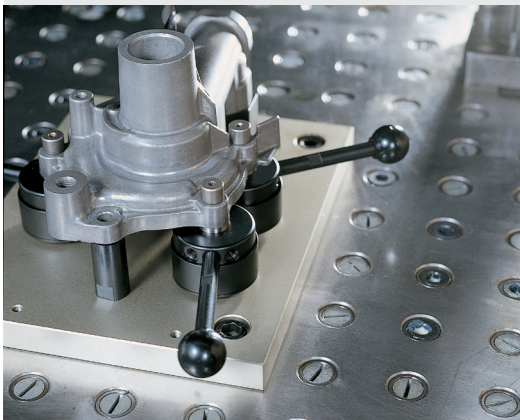
## Holding forces for workpiece processing



Make sure that no force on the underside of the workpiece exceeds the values given in the table.



## Application using Pull Clamps



## Performance curve

