

## Item description/product images



## Description

**Material:**

Steel or stainless steel A2.

**Version:**

Electro zinc-plated steel.

Bright stainless steel.

**Note:**

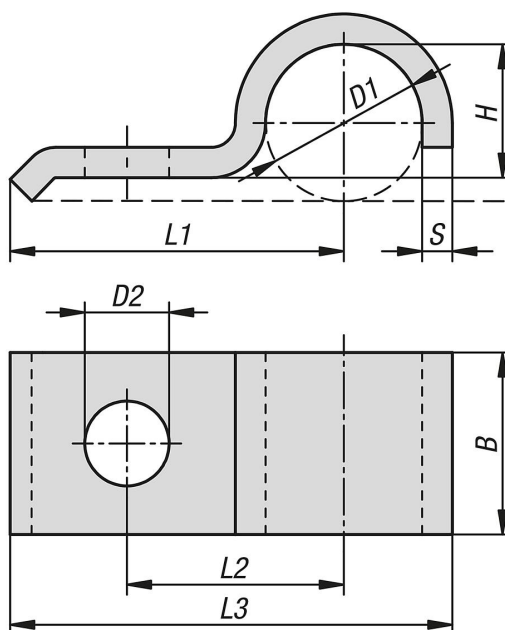
Single leg pipe clips, pre-tensioned, DIN 1596 lightweight version.

These pipe clips are used to fasten and install light pipework, cables and various cylindrical parts.

The pipe clips are designed to grip the pipe. Optimum clamping is achieved through tightening the fastening screw.

D = 52 is similar to DIN 1596.

## Drawings



## Overview of items

Order No.	Main material	Surface finish body	B	D1	D2	H	L1	L2	L3	S	Clamping range D1 inches	Clamping range D1 mm
07850-10-10070	steel	galvanised	16	7	6.6	5	26	14	31,5	2	0.22-0.28	5,5-7
07850-10-10090	steel	galvanised	16	9	6.6	6	28	16	34,5	2	0.28-0.35	7-9
07850-10-10130	steel	galvanised	20	13	6.6	9	30	18	38,5	2	0.39-0.51	9,5-13
07850-10-10155	steel	galvanised	20	15.5	6.6	12	32	20	41,75	2	0.51-0.61	13-15,5
07850-10-10190	steel	galvanised	20	19	6.6	15	34	22	45,5	2	0.61-0.75	15,5-19
07850-10-10230	steel	galvanised	25	23	9	19	43	28	57,5	3	0.79-0.91	20-23
07850-10-10260	steel	galvanised	25	26	9	22	44	29	60	3	0.91-1.02	23-26
07850-10-10285	steel	galvanised	25	28.5	9	24	47	32	64,25	3	1.02-1.12	26-28,5
07850-10-10310	steel	galvanised	25	31	9	27	47	32	65,5	3	1.12-1.22	28,5-31

## Overview of items

Order No.	Main material	Surface finish body	B	D1	D2	H	L1	L2	L3	S	Clamping range D1 inches	Clamping range D1 mm
07850-10-10360	steel	galvanised	30	36	11	32	57	40	78	3	1.3-1.42	33-36
07850-10-10390	steel	galvanised	30	39	11	34	59	42	81,5	3	1.42-1.54	36-39
07850-10-10430	steel	galvanised	30	43	11	38	61	44	85,5	3	1.54-1.69	39-43
07850-10-10460	steel	galvanised	30	46	11	41	62	45	88	3	1.69-1.81	43-46
07850-10-10490	steel	galvanised	40	49	14	44	67	48	95,5	4	1.81-1.93	46-49
07850-10-10520	steel	galvanised	40	52	14	47	72	53	102	4	1.93-2.05	49-52
07850-10-10580	steel	galvanised	40	58	14	52	74	55	107	4	2.09-2.28	53-58
07850-10-10610	steel	galvanised	40	61	14	56	77	58	111,5	4	2.28-2.4	58-61
07850-10-40070	stainless steel	bright	16	7	6.6	5	26	14	31,5	2	0.22-0.28	5,5-7
07850-10-40090	stainless steel	bright	16	9	6.6	6	28	16	34,5	2	0.28-0.35	7-9
07850-10-40130	stainless steel	bright	20	13	6.6	9	30	18	38,5	2	0.39-0.51	9,5-13
07850-10-40155	stainless steel	bright	20	15.5	6.6	12	32	20	41,75	2	0.51-0.61	13-15,5
07850-10-40190	stainless steel	bright	20	19	6.6	15	34	22	45,5	2	0.61-0.75	15,5-19
07850-10-40230	stainless steel	bright	25	23	9	19	43	28	57,5	3	0.79-0.91	20-23
07850-10-40260	stainless steel	bright	25	26	9	22	44	29	60	3	0.91-1.02	23-26
07850-10-40285	stainless steel	bright	25	28.5	9	24	47	32	64,25	3	1.02-1.12	26-28,5
07850-10-40310	stainless steel	bright	25	31	9	27	47	32	65,5	3	1.12-1.22	28,5-31
07850-10-40360	stainless steel	bright	30	36	11	32	57	40	78	3	1.3-1.42	33-36
07850-10-40390	stainless steel	bright	30	39	11	34	59	42	81,5	3	1.42-1.54	36-39
07850-10-40430	stainless steel	bright	30	43	11	38	61	44	85,5	3	1.54-1.69	39-43
07850-10-40460	stainless steel	bright	30	46	11	41	62	45	88	3	1.69-1.81	43-46
07850-10-40490	stainless steel	bright	40	49	14	44	67	48	95,5	4	1.81-1.93	46-49
07850-10-40520	stainless steel	bright	40	52	14	47	72	53	102	4	1.93-2.05	49-52
07850-10-40580	stainless steel	bright	40	58	14	52	74	55	107	4	2.09-2.28	53-58
07850-10-40610	stainless steel	bright	40	61	14	56	77	58	111,5	4	2.28-2.4	58-61