

Item description/product images



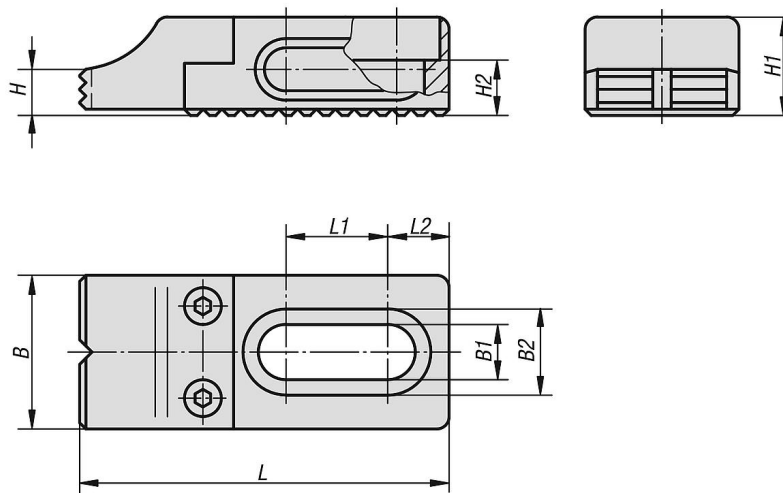
Description

Material:
Carbon steel.

Version:
Body black oxidised.
Jaw plate tempered and black oxidised.
The contact face of the jaw plate is serrated.

Note:
The adjustable stop is used together with the rack plate CL.

Drawings



Overview of items

| Order No. | B | B1 | B2 | H | H1 | H2 | L | L1 | L2 |
|-------------------|----|-----|----|-----|----|----|-----|------|------|
| 04470-05-96008016 | 25 | 8,5 | 14 | 7,5 | 16 | 7 | 60 | 16,5 | 10 |
| 04470-05-96012022 | 35 | 13 | 20 | 10 | 22 | 10 | 90 | 26,5 | 13,5 |
| 04470-05-96016030 | 40 | 17 | 26 | 14 | 30 | 13 | 115 | 30 | 17,5 |